



Jet Pumps



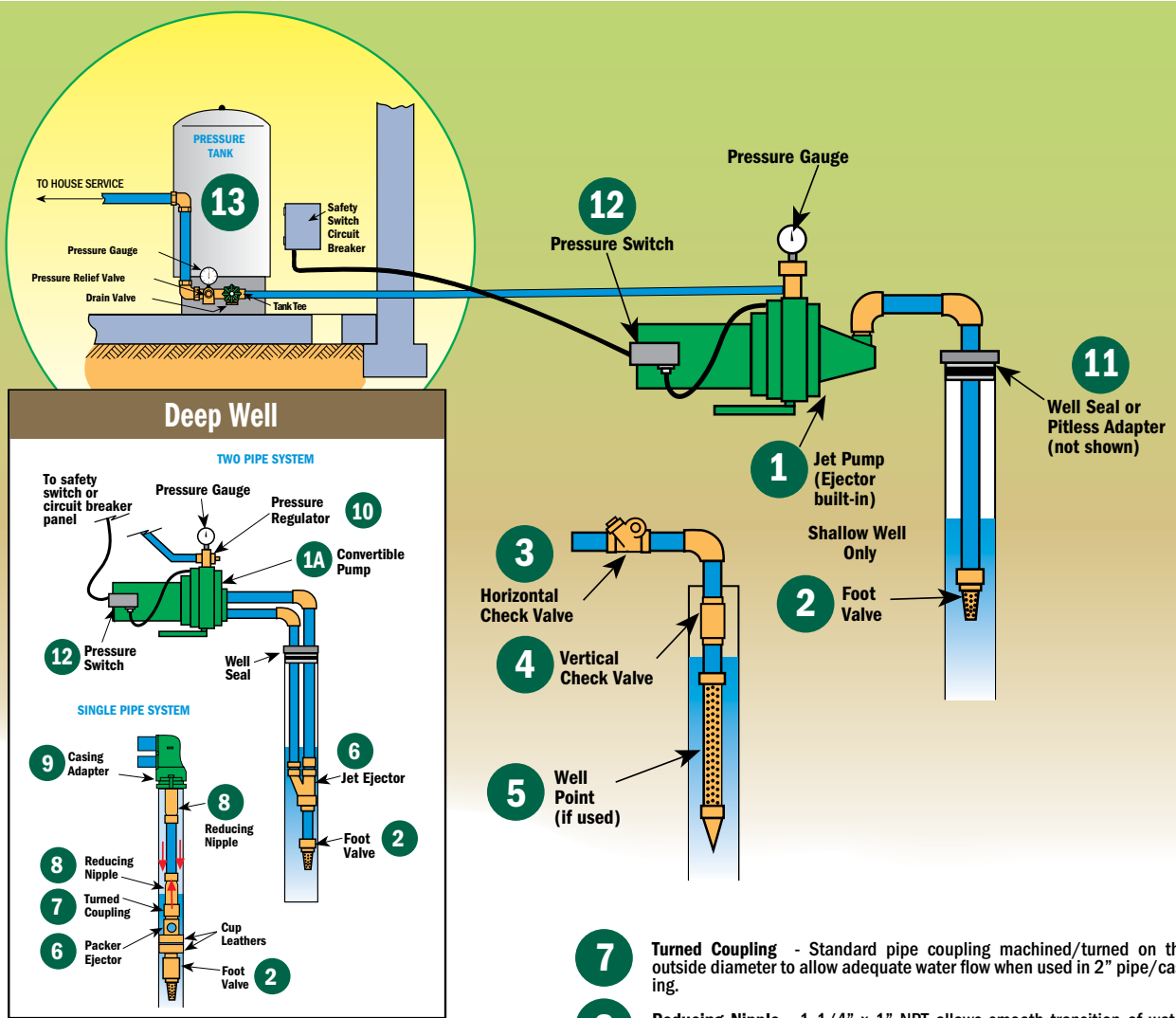
Jet Pumps

Pump Catalog - January 2019

MORE THAN A BRAND. WE'RE A FAMILY.

Typical Jet Pump Installations

Shallow Well Pump



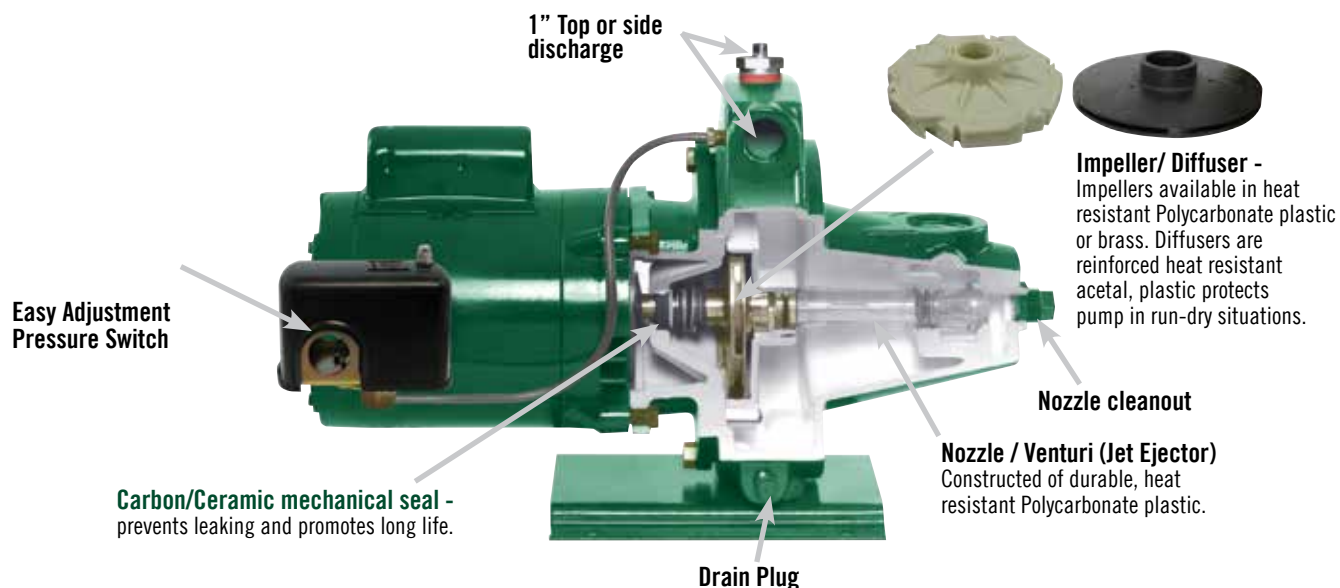
- 1** **Jet Pump** - A pump combining two pumping principles - centrifugal operation and ejection. They can be used in shallow or deep wells. When well diameter is 2", a surface mounted pump with 2" packer jet ejector is one of the only ways to automatically draw water from more than 25' below ground.
- 1A** **Convertible Pump** - A pump that can be used in either a shallow well or a deep well.
- 2** **Foot Valve** - A type of check valve with built-in strainer. Used at point of liquid intake to retain liquid in the system, preventing loss of prime when liquid source is lower than pump. You must have a reliable foot valve for deep well jet pumps.
- 3** **Check Valve** - Allows liquid to flow in one direction only. Generally used in suction and discharge line to prevent reverse flow. Available in (3) horizontal and (4) vertical models.
- 4** **Vertical Check Valve** - A check valve designed for vertical installation to prevent backflow in the well casing.
- 5** **Well Point** - Sometimes called a Sand Point or Drive Point because they are driven/hammered into the water table. Equipped with various sized screens, water flows into the inside of the screen and is pumped (by vacuum) to the surface.
- 6** **Jet Ejector** - Jet ejectors are a combination of nozzle and venturi that works together to create a vacuum and thereby pull additional water along with the high velocity water provided.

- 7** **Turned Coupling** - Standard pipe coupling machined/turned on the outside diameter to allow adequate water flow when used in 2" pipe/casing.
- 8** **Reducing Nipple** - 1 1/4" x 1" NPT allows smooth transition of water flowing from the jet ejector to the above ground pump.
- 9** **Casing Adapter** - Seals the top of the well casing and allows the water coming from the pump to reach a "packer-type" jet ejector using the casing as the "drive pipe".
- 10** **Regulating Valve/Pressure Regulator** - Attaches to the discharge of a jet pump (or is built-in) to recirculate some of the water in the pump through a jet ejector in the well. Required for deep well ONLY.
- 11** **Well Seal / Pitless Adapter** - Seals the well from contamination. Pitless adapters (not shown) are required in freezing climates.
- 12** **Pressure Switch** - Critical to the smooth operation of the system. As water pressure increases (from the pump filling a tank), a diaphragm in the pressure switch applies force to a spring loaded lever. As the pressure overcomes the spring tension, the contacts snap open interrupting the electrical circuit stopping the pump. The greater the spring pressure, the higher the pump ON/OFF settings.
- 13** **Pressure Tank** - Provides storage of water under pressure for delivery between cycles; allows for reserve capacity for periods of peak demand; protects and extends the life of the pump by reducing the number of on/off cycles; and, helps reduce overall system maintenance.

Features & Motors

Easily Serviceable

- No need to disturb piping when servicing. Working parts are integral to motor adapter/seal plate assembly.
- Nozzle clean out plug and drain plug in pump housing.
- Motor Adapter: Precision machined cast iron for positive alignment/concentricity on 8100/8200 series.
- Seal/Condensation Plate: Molded from heat resistant, acetal plastic for 8500/8600 series.
- All A.Y. McDonald Mfg. Co. Jet Pumps use standardized parts to minimize repair parts inventories.



Nema J Motor

- 8100 & 8200 Series
- UL and CSA listed motors
- Standard service factors
- Dual voltage w/ Voltage Change Device
- Built-in thermal overload with automatic reset
- 7/16" - 20 thread



Square Flange Motor

- 8500 & 8600 Series
- UL and CSA listed motors
- High service factor
- Dual voltage w/ Voltage Change Device
- Built in thermal overload with automatic reset
- Easily accessible four bolt pattern
- Dual voltage switch, easily accessible.
- Screwdriver slot, in the motor shaft, easily accessible to remove the impeller on 8500/8600 Series.
- 7/16" - 20 thread



8100 Series - Shallow Well

A.Y. McDonald offers a full line of shallow well and convertible jet pumps built for years of trouble free operation, with high-efficiency impellers and diffusers. The 8100 series shallow well capacity is up to 25 gallons per minute (GPM) and pressures to 80 PSI.

All 8100 Series Shallow Well Pumps come with a 1 1/4" suction pipe and 1" top or side discharge. The sizes range from 1/2 to 1 horse power (HP).

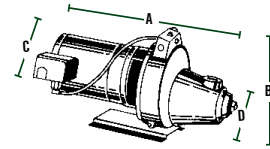
Features:

- Nema J (Threaded Shaft) Motor 7/16" - 20 Threads
- Pressure switch factory settings:
 1/2 HP High Capacity = 20-40 PSI
 1/2 HP High Pressure = 30-50 PSI
 All 3/4 and 1 HP = 30-50 PSI
- * Maximum Amp. Draw at factory voltage setting.



Models Available High Capacity

Model No.	HP	Volt	*Max. Amps	Switch	Impeller	A	B	C	D	WT
8150	1/2	115/230	11.2	20/40	plastic	20"	10"	10.5"	8"	45
8151	1/2	115/230	11.2	20/40	brass	20"	10"	10.5"	8"	46
8170	3/4	230 /115	7.4	30/50	plastic	19.5"	10"	10.5"	8"	48
8171	3/4	230 /115	7.4	30/50	brass	19.5"	10"	10.5"	8"	50
8110	1	230 /115	8.8	30/50	plastic	20"	10"	10.5"	8"	51
8111	1	230 /115	8.8	30/50	brass	20"	10"	10.5"	8"	53



Overall Length "A" | Overall Height "B"
 Overall Width with Pressure Switch "C"
 Overall Width without Pressure Switch "D"
 *See table to left for dimensions.

High Pressure

Model No.	HP	Volt	*Max. Amps	Switch	Impeller	A	B	C	D	WT
8150HP	1/2	115 /230	11.2	30/50	plastic	20"	10"	10.5"	8"	46
8151HP	1/2	115 /230	11.2	30/50	brass	20"	10"	10.5"	8"	47
8170HP	3/4	230 /115	7.4	30/50	plastic	19.5"	10"	10.5"	8"	49
8171HP	3/4	230 /115	7.4	30/50	brass	19.5"	10"	10.5"	8"	49
8110HP	1	230 /115	8.8	30/50	plastic	20"	10"	10.5"	8"	52
8111HP	1	230 /115	8.8	30/50	brass	20"	10"	10.5"	8"	53

Factory Voltage Setting listed first in bold type.

8100 Series - Shallow Well

High Capacity | Shallow Well

Model No.	HP	Suction Lift - Ft.	Capacities in GPM at Discharge Pressure (PSI)				MAX Shut Off Pressure
			20	30	40	50	
8150	1/2	5	15.6	15.6	8.6	2.3	58
8151		15	11.7	11.7	6.5	1.2	
		25	6.6	6.6	4.7	--	
8170	3/4	5	18.8	18.8	16.2	8.8	64
8171		15	14.4	14.4	12.3	3.9	
		25	8.6	8.6	7.3	2.7	
8110	1	5	24.2	24.0	23.0	15.0	64
8111		15	20.1	18.6	18.4	10.9	
		25	11.6	11.4	11.3	4.7	

High Pressure | Shallow Well

Model No.	HP	Suction Lift - Ft.	Capacities in GPM at Discharge Pressure (PSI)					MAX Shut Off Pressure
			30	40	50	60	70	
8150HP	1/2	5	7.6	7.1	5.7	2.7		70
8151HP		15	5.5	5.4	4.3	2.0		
		25	3.7	3.6	2.9			
8170HP	3/4	5	9.4	9.4	7.8	4.2		74
8171HP		15	7.0	7.0	5.9	2.9		
		25	4.6	4.6	3.8	2.1		
8110HP	1	5	13.4	13.4	12.7	9.2	3.0	80
8111HP		15	10.0	10.0	9.4	6.5	2.4	
		25	6.2	6.2	6.0	4.3	1.8	

1 - Zinc Plated Plug
(With Pressure Gauge Tap & 1/4" plug)

2 - Impeller
Available in either dynamically balanced bronze or engineered thermoplastic

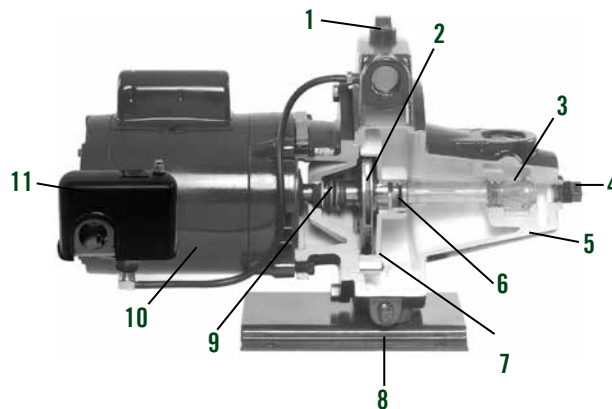
3 - Nozzle-Venturi (Jet Ejector) Assembly
Unitized construction made of non-distorting Polycarbonate with excellent heat resistance

4 - Zinc Plated Nozzle Clean-out Plug

5 - Cast Iron Pump Body & Motor Adapter

6 - Buna-N O-ring (On Venturi)

7 - Diffuser
Multi-volute engineered thermoplastic diffuser for maximum capacity and pressure



8 - Drain Plug

9 - Shaft Seal
Standard 5/8" ceramic carbon rotating mechanical seal

10 - Standard, Capacitor Start, Nema J Motor
Built to NEMA specifications by nationally known manufacturers to assure local service availability. Choice of 1/2, 3/4 and 1 H.P. 50 Hz. or 60 Hz.

11 - Pressure Switch
Easily adjusted for higher or lower operating pressures

8200 Series - Convertible

A.Y. McDonald offers a full line of shallow well and convertible jet pumps built for years of trouble free operation, with high-efficiency impellers and diffusers. The 8200 series convertible capacity is up to 65 gallons per minute (GPM) and pressures to 80 PSI.

All 8200 Series Convertible Pumps come with a 1 1/4" suction pipe and 1" top or side discharge. The sizes range from 1/2 to 1 horse power (HP).

Features:

- Nema J (Threaded Shaft) Motor 7/16" - 20 Threads
- Pressure switch factory settings:
1/2 HP = 20-40 PSI
3/4 and 1 HP = 30-50 PSI
- Two pipe tapings 1" x 1 1/4"
- * Maximum Amp. Draw at factory voltage setting.



Models Available

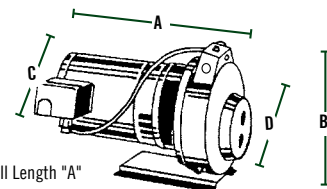
Model No.	HP	Volt	*Max. Amps	Impeller	A	B	C	D	WT
8250	1/2	115/230	11.2	plastic	15.5"	10"	10.5"	8"	42
8251	1/2	115/230	11.2	brass	15.5"	10"	10.5"	8"	44
8270	3/4	230/115	7.4	plastic	15"	10"	10.5"	8"	45

Model No.	HP	Volt	*Max. Amps	Impeller	A	B	C	D	WT
8271	3/4	230/115	7.4	brass	15"	10"	10.5"	8"	47
8210	1	230/115	8.8	plastic	15.5"	10"	10.5"	8"	48
8211	1	230/115	8.8	brass	15.5"	10"	10.5"	8"	50

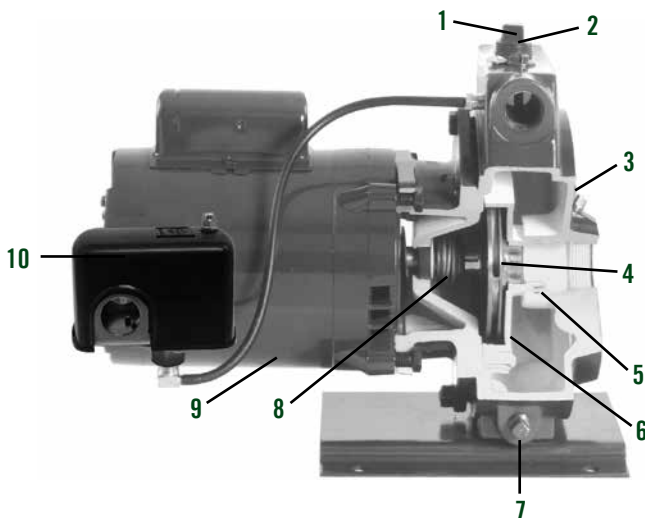
Factory Voltage Setting listed first in bold type.

*Maximum Amp. draw at factory voltage setting.

- See page 186 for required Jet Ejectors



Overall Length "A"
Overall Height "B"
Overall Width with Pressure Switch "C"
Overall Width without Pressure Switch "D"
*See table to left for dimensions.



- 1- **Zinc Plated Plug**
(With Pressure Gauge Tap & 1/4" plug)
- 2- **Internal Regulating Valve**
(Manual adjustment for deep well only)
- 3- **Cast Iron Pump Body & Motor Adapter**
- 4- **Impeller**
Available in either dynamically balanced bronze or engineered thermoplastic
- 5- **Buna-N O-ring (In Body)**
- 6- **Diffuser**
Multi-volute engineered thermoplastic diffuser for maximum capacity and pressure
- 7- **Drain Plug**
- 8- **Shaft Seal**
Standard 5/8" ceramic carbon rotating mechanical seal
- 9- **Standard, Capacitor Start, Nema J Motor**
Built to NEMA specifications by nationally known manufacturers to assure local service availability. Choice of 1/2, 3/4 and 1 H.P. 50 Hz. or 60 Hz.
- 10- **Pressure Switch**
Easily adjusted for higher or lower operating pressures

8200 Series - Convertible

8200 Series - Convertible | Shallow Well Performance

Model No.	HP	Jet Ejector*	Suction Lift - Ft.	Capacities in GPM at Discharge Pressure (PSI)					MAX Shut Off Pressure	
				20	30	40	50	60		70
8250 8251	1/2	651-JP Hi-Capacity	5	15.6	15.6	8.6	2.3			58
			15	11.7	11.7	6.5	1.2			
			25	6.6	6.6	4.7				
		655-JP Hi-Pressure	5	7.6	7.6	7.1	5.7	2.7		74
			15	5.5	5.5	5.4	4.3	2.0		
			25	3.7	3.7	3.6	2.9			
8270 8271	3/4	652-JP Hi-Capacity	5	18.8	18.8	16.2	8.8			61
			15	14.4	14.4	12.3	3.9			
			25	8.6	8.6	7.3	2.7			
		656-JP Hi-Pressure	5	9.7	9.4	9.4	7.8	4.2		75
			15	7.1	7.0	7.0	5.9	2.9		
			25	4.7	4.6	4.6	3.8	2.1		
8210 8211	1	653-JP Hi-Capacity	5	24.2	24.0	23.0	15.0			64
			15	20.1	18.6	18.4	10.9			
			25	11.6	11.4	11.3	4.7			
		657-JP Hi-Pressure	5	13.3	13.3	13.3	12.7	9.2	3.0	80
			15	10.0	10.0	10.0	9.4	6.5	2.4	
			25	6.2	6.2	6.2	6.0	4.3	1.8	

*Jet Ejectors must be ordered separately

Shallow Well Performance without Jet Ejector

Model No.	HP	Jet Ejector*	Suction Lift - Ft.	Capacities in GPM at Discharge Pressure (PSI)					MAX Shut Off Pressure	
				10	15	20	25	30		35
8250 8251	1/2	Without	10	49.5	47	39.5	25	11		34
		Jet	20	45	40.5	28	11.5			
8270 8271	3/4	Without	10	60	58	56	51.5	40		38
		Jet	20	52	52	50	41	19		
8210 8211	1	Without	10	65	63	61	57	50	41.5	42
		Jet	20	54	53.5	52	48	41	26	

8200 Series - Convertible | Deep Well Performance at 20 PSI | For 20-40 PSI Pressure Switch Setting

Model No.	HP	Well Casing Size	Jet Ejector*	Deep Well Capacities in GPM - At Depth to Water in Feet										
				30	40	50	60	70	80	90	100	110	120	
8250 8251	1/2	4"	7508-JP	12.7	10.5	8.8								
		4"	7509-JP		9.3	8.1	6.3	5.0	4.0					
		2"	7735-JP	11.3	9.4	7.9								
		2"	7736-JP		8.3	7.3	5.7	4.6						
8270 8271	3/4	4"	7901-JP	16.1	13.0	9.6								
		4"	7906-JP			9.9	8.4	6.5	5.1					
		4"	7907-JP						4.7	3.9	3.3	2.5		
		2"	7808-JP	14.3	11.6	8.5								
8210 8211	1	2"	7812-JP			8.9	7.5	5.8	4.6					
		2"	7813-JP						4.2	3.6	2.9	2.2		
		4"	7901-JP	16.8	14.3	11.9								
		4"	7902-JP			11.8	9.9	8.1	6.3					
8210 8211	1	4"	7903-JP						5.5	4.8	4.3	3.5	2.8	
		2"	7808-JP	15.0	12.9	10.7								
		2"	7809-JP			10.4	8.8	7.2	5.6					
		2"	7810-JP						4.8	4.2	3.8	3.1	2.6	

*Jet Ejectors must be ordered separately



E-Series

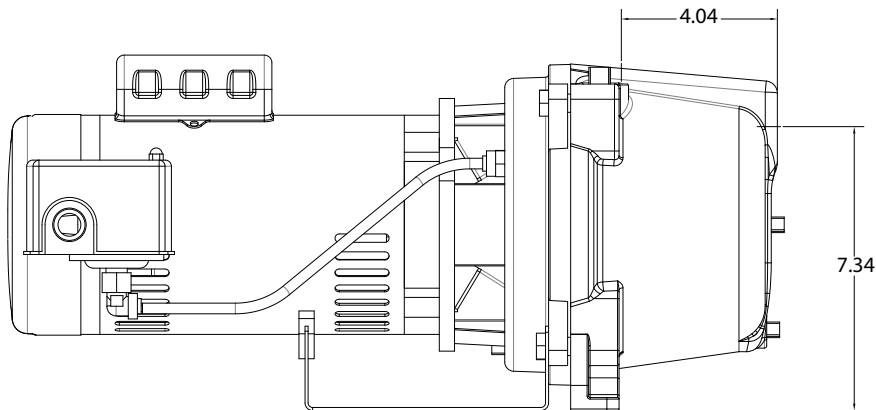
8300 Series Jet Pumps

Get water from point A to point B easier than ever with A.Y. McDonald's E-Series Jet Pump. Available in 1/2, 3/4, 1, and 1 1/2 HP, this pump also contains a flow of up to 32 GPM. The E-Series Jet Pump is designed with a 1 1/4" inlet and 1" outlet while allowing for an easy switch between 115V and 230V.

The High Pressure E-Series Jet Pump is available in 1/2 HP with pressures to 80 PSI and flows up to 11 GPM.

Features:

- Up to 32 GPM
- 1" Outlet
- 1 1/4" Inlet
- Reliable, robust, and tested motor
- Easy to switch between 115V & 230V
- 304 Stainless steel motor shaft with wrench flat
- All iron pump housing and seal plate
- 304 Stainless steel insert on plastic impeller
- Stainless steel wear ring between the impeller & diffuser
- Stainless steel bolt hardware connecting pump to motor



Models Available

Model No.	HP	Volts	Suction	Discharge	Max Amp	Switch	Ship WT. (lbs.)
8350	1/2	115 / 230	1 1/4"	1"	10.8	20/40	52
8350HP	1/2	115 / 230	1 1/4"	1"	10.8	30/50	52
8370	3/4	230 / 115	1 1/4"	1"	7.1	30/50	53
8310	1	230 / 115	1 1/4"	1"	8.3	30/50	63
8315	1 1/2	230 / 115	1 1/4"	1"	10.5	40/60	65

Factory Voltage Setting listed first in bold type.

8300 Series Jet Pumps

Performance

Model No.	HP	Suction Lift - FT.	Capacities in GPM at Discharge Pressure					Max. Shut off PSI
			20	30	40	50	60	
8350	1/2	5	17.4	12.6	8.0	2.7	-	58
		10	15.8	11.9	6.6	1.6	-	56
		15	12.9	10.9	5.6	0.8	-	52
		20	10.7	9.4	4.4	0.2	-	51
		25	8.5	8.3	3.6	0.1	-	51
8350HP	1/2	5	10.6	10.6	9.3	6.5	3.4	80
		10	9.4	9.	9.2	6.1	3.1	77
		15	8.2	8.1	8.0	5.3	2.3	74
		20	6.6	6.7	6.7	4.6	1.9	73
		25	4.9	5.0	5.0	4.1	0.0	70
8370	3/4	5	-	22.2	17.1	11.1	6.7	73
		10	-	20.0	15.8	10.8	6.0	70
		15	-	16.5	13.8	9.4	3.7	66
		20	-	13.7	10.9	7.5	1.6	62
		25	-	11.2	10.6	6.6	0.4	61
8310	1	5	-	25.9	21.3	13.8	7.0	70
		10	-	23.3	19.0	12.4	6.0	69
		15	-	19.5	17.1	10.1	3.1	66
		20	-	16.3	15.2	9.6	2.2	63
		25	-	13.4	12.9	7.8	0.2	60
8315	1 1/2	5	-	27.2	26.9	21.8	16.0	87
		10	-	24.1	24.0	20.2	15.2	82
		15	-	20.1	20.1	18.7	13.3	80
		20	-	16.7	16.7	15.9	11.4	75
		25	-	14.3	13.9	13.5	11.3	74

8500 Series - Shallow Well

A.Y. McDonald offers a full line of shallow well and convertible jet pumps built for years of trouble free operation, with high-efficiency impellers and diffusers. The 8500 series shallow well capacity is up to 25 gallons per minute (GPM) and pressures to 80 PSI.

All 8500 Series Shallow Well Pumps come with a 1 1/4" suction pipe and 1" top or side discharge. The sizes range from 1/3 to 1 horse power (HP).

Features:

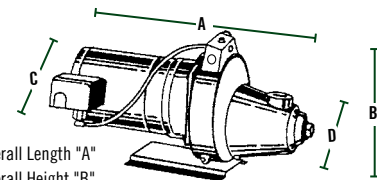
- Square Flange Motor 7/16" - 20 Threads
- Pressure switch factory settings:
 1/3 and 1/2 HP High Capacity = 20-40 PSI
 1/3 and 1/2 HP High Pressure = 30-50 PSI
 All 3/4 and 1 HP = 30-50 PSI
- * Maximum Amp. Draw at factory voltage setting.



Models Available

High Capacity

Model No.	HP	Volt	*Max. Amps	Impeller	A	B	C	D	WT
8530	1/3	115/230	10.6	plastic	19.5"	10"	10.5"	8"	38
8531	1/3	115/230	10.6	brass	19.5"	10"	10.5"	8"	40
8550	1/2	115/230	12.0	plastic	20"	10"	10.5"	8"	43
8551	1/2	115/230	12.0	brass	20"	10"	10.5"	8"	44
8570	3/4	230/115	7.6	plastic	20.2"	10"	10.5"	8"	43
8571	3/4	230/115	7.6	brass	20.2"	10"	10.5"	8"	45
8510	1	230/115	9.2	plastic	20.6"	10"	10.5"	8"	45
8511	1	230/115	9.2	brass	20.6"	10"	10.5"	8"	47



Overall Length "A"
 Overall Height "B"
 Overall Width with Pressure Switch "C"
 Overall Width without Pressure Switch "D"
 *See table to left for dimensions.

High Pressure

Model No.	HP	Volt	*Max. Amps	Impeller	A	B	C	D	WT
8530HP	1/3	115/230	10.6	plastic	19.5"	10"	10.5"	8"	41
8531HP	1/3	115/230	10.6	brass	19.5"	10"	10.5"	8"	42
8550HP	1/2	115/230	12.0	plastic	20"	10"	10.5"	8"	44
8551HP	1/2	115/230	12.0	brass	20"	10"	10.5"	8"	42
8570HP	3/4	230/115	7.6	plastic	20.2"	10"	10.5"	8"	44
8571HP	3/4	230/115	7.6	brass	20.2"	10"	10.5"	8"	44
8510HP	1	230/115	9.2	plastic	20.6"	10"	10.5"	8"	45
8511HP	1	230/115	9.2	brass	20.6"	10"	10.5"	8"	47

Factory Voltage Setting listed first in bold type.

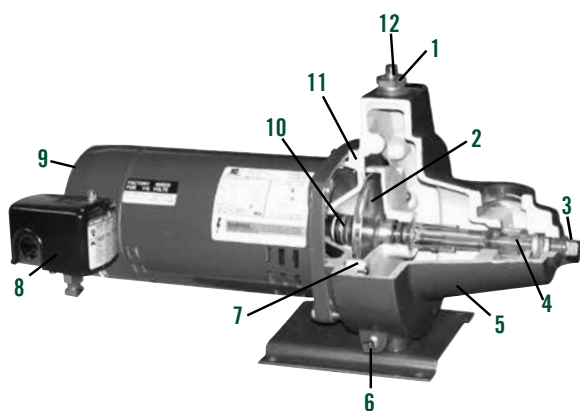
8500 Series - Shallow Well

8500 Series - High Capacity | Shallow Well

Model No.	HP	Suction Lift - Ft.	Capacities in GPM at Discharge Pressure (PSI)				MAX Shut Off Pressure
			20	30	40	50	
8530	1/3	5	12.6	12.6	7.4	2.5	57
8531		15	10.0	10.0	6.0	1.3	
		25	5.8	5.8	2.7	--	
8550	1/2	5	15.6	15.6	8.6	2.3	58
8551		15	11.7	11.7	6.5	1.2	
		25	6.6	6.6	4.7	--	
8570	3/4	5	18.8	18.8	16.2	8.8	61
8571		15	14.4	14.4	12.3	3.9	
		25	8.6	8.6	7.3	2.7	
8510	1	5	24.2	24.0	23.0	15	64
8511		15	20.1	18.6	18.4	10.9	
		25	11.6	11.4	11.3	4.7	

8500 Series - High Pressure | Shallow Well

Model No.	HP	Suction Lift - Ft.	Capacities in GPM at Discharge Pressure (PSI)					MAX Shut Off Pressure
			30	40	50	60	70	
8530HP	1/3	5	6.7	6.1	4.3	2.3		70
8531HP		15	4.8	4.6	3.3	1.1		
		25	3.0	2.9	2.1			
8550HP	1/2	5	7.6	7.1	5.7	2.7		74
8551HP		15	5.5	5.4	4.3	2.0		
		25	3.7	3.6	2.9			
8570HP	3/4	5	9.4	9.4	7.8	4.2		75
8571HP		15	7.0	7.0	5.9	2.9		
		25	4.6	4.6	3.8	2.1		
8510HP	1	5	13.4	13.4	12.7	9.2	3.0	80
8511HP		15	10.0	10.0	9.4	6.5	2.4	
		25	6.2	6.2	6.0	4.3	1.8	



- 1 - Zinc Plated Plug**
(With Pressure Gauge Tap and 1/4" plug in side discharge, see picture above)
- 2 - Impeller**
Available in engineered polycarbonate thermoplastic
- 3 - Zinc Plated Nozzle Cleanout Plug**
- 4 - Nozzle-Venturi (jet Ejector) Assembly**
Unitized construction made of non-distorting Polycarbonate with excellent heat resistance
- 5 - Cast Iron Pump Body**
- 6 - Drain Plug**
- 7 - Diffuser**
Multi-volute engineered thermoplastic diffuser for maximum capacity and pressure
- 8 - Pressure Switch**
Easily adjusted for higher or lower operating pressures
- 9 - High Service Factor, Capacitor Start, Threaded Shaft, Square Flange Motor**
Built to specifications by nationally known manufacturers to assure local service availability. Choice of 1/3, 1/2, 3/4 and 1 H.P. 50 Hz. or 60 Hz.
- 10 - Shaft Seal**
Standard 5/8" ceramic carbon rotating mechanical seal
- 11 - Thermoplastic Seal / Condensation Plate**
Provides air gap between motor and water chamber
- 12 - Discharge**
1" Top or 3/4" Side discharge

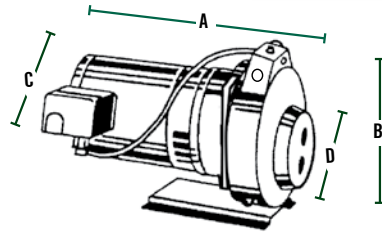
8600 Series - Convertible

A.Y. McDonald offers a full line of shallow well and convertible jet pumps built for years of trouble free operation, with high-efficiency impellers and diffusers. With appropriate jet ejector the 8600 series convertible capacity is up to 65 gallons per minute (GPM) and pressures to 80 PSI.

All 8600 Series Convertible Pumps come with a 1 1/4" suction pipe and 1" top or side discharge. The sizes range from 1/3 to 1 horse power (HP).

Features:

- Square Flange Motor 7/16" - 20 Threads
- Deep Well performance to 120 feet to water
- Pressure switch factory settings:
1/3 and 1/2 HP = 20-40 PSI
3/4 and 1 HP = 30-50 PSI
- Two pipe tapping 1" x 1 1/4"
- * Maximum Amp. Draw at factory voltage setting.



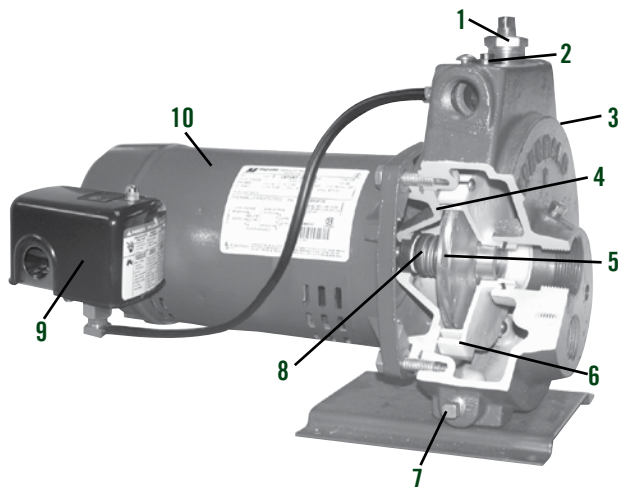
Overall Length "A"
Overall Height "B"
Overall Width with Pressure Switch "C"
Overall Width without Pressure Switch "D"
*See table to left for dimensions.

Models Available

Model No.	HP	Volt	*Max. Amps	Impeller	A	B	C	D	WT
8630	1/3	115/230	10.6	plastic	15.2"	10"	10.5"	8"	35
8631	1/3	115/230	10.6	brass	15.2"	10"	10.5"	8"	36
8650	1/2	115/230	12.0	plastic	15.5"	10"	10.5"	8"	37
8651	1/2	115/230	12.0	brass	15.5"	10"	10.5"	8"	38
8670	3/4	230/115	7.6	plastic	15.9"	10"	10.5"	8"	39
8671	3/4	230/115	7.6	brass	15.9"	10"	10.5"	8"	40
8610	1	230/115	9.2	plastic	16.2"	10"	10.5"	8"	42
8611	1	230/115	9.2	brass	16.2"	10"	10.5"	8"	44

*Factory Voltage Setting listed first in bold type.

- Optional jet ejectors: High Capacity and High Pressure



1 - Zinc Plated Plug
(With Pressure Gauge Tap and 1/4" plug)

2 - Internal Regulating Valve
(Manual adjustment for deep well only)

3 - Cast Iron Pump Body

4 - Seal / Condensation Plate
Provides air gap between motor and water chamber

5 - Impeller
Available in engineered polycarbonate thermoplastic

6 - Diffuser
Multi-volute engineered thermoplastic diffuser for maximum capacity and pressure

7 - Drain Plug

8 - Shaft Seal
Standard 5/8" ceramic carbon rotating mechanical seal

9 - Pressure Switch
Easily adjusted for higher or lower operating pressures

10 - High Service Factor, Capacitor Start, Threaded Shaft, Square Flange Motor
Built to NEMA specifications by nationally known manufacturers to assure local service availability. Choice of 1/3, 1/2, 3/4 and 1 H.P. 50 Hz. or 60 Hz.

8600 Series - Convertible

8600 Series - Convertible | Shallow Well Performance

Model No.	HP	Jet Ejector*	Suction Lift - Ft.	Capacities in GPM at Discharge Pressure (PSI)						MAX Shut Off Pressure
				20	30	40	50	60	70	
8630 8631	1/3	650-JP Hi-Capacity	5	12.6	12.6	7.4	2.5			57
			15	10.0	10.0	6.0	1.3			
			25	5.8	5.8	2.0				
		654-JP Hi-Pressure	5	6.8	6.8	6.1	4.3	2.3		70
			15	4.8	4.8	4.6	3.3	1.1		
			25	3.0	3.0	2.9	2.1			
8650 8651	1/2	651-JP Hi-Capacity	5	15.6	15.6	8.6	2.3			58
			15	11.7	11.7	6.5	1.2			
			25	6.6	6.6	4.7				
		655-JP Hi-Pressure	5	7.6	7.6	7.1	5.7	2.7		74
			15	5.5	5.5	5.4	4.3	2.0		
			25	3.7	3.7	3.6	2.9			
8670 8671	3/4	652-JP Hi-Capacity	5	18.8	18.8	16.2	8.8			61
			15	14.4	14.4	12.3	3.9			
			25	8.6	8.6	7.3	2.7			
		656-JP Hi-Pressure	5	9.7	9.4	9.4	7.8	4.2		75
			15	7.1	7.0	7.0	5.9	2.9		
			25	4.7	4.6	4.6	3.8	2.1		
8610 8611	1	653-JP Hi-Capacity	5	24.2	24.0	23.0	15.0			64
			15	20.1	18.6	18.4	10.9			
			25	11.6	11.4	11.3	4.7			
		657-JP Hi-Pressure	5	13.3	13.3	13.3	12.7	9.2	3.0	80
			15	10.0	10.0	10.0	9.4	6.5	2.4	
			25	6.2	6.2	6.2	6.0	4.3	1.8	

Shallow Well Performance without Jet Ejector

Model No.	HP	Jet Ejector*	Suction Lift - Ft.	Capacities in GPM at Discharge Pressure (PSI)						MAX Shut Off Pressure
				10	15	20	25	30	35	
8630	1/3	Without	10	45	41.5	30	15			26
8631		Jet	20	40	31	20				
8650	1/2	Without	10	49.5	47	39.5	25	11		34
8651		Jet	20	45	40.5	28	11.5			
8670	3/4	Without	10	60	58	56	51.5	40		38
8671		Jet	20	52	52	50	41	19		
8610	1	Without	10	65	63	61	57	50	41.5	42
8611		Jet	20	64	53.5	52	48	41	26	

8600 Series - Convertible | Deep Well Performance at 20 PSI | For 20-40 PSI Pressure Switch Setting

Model No.	HP	Well Casing Size	Jet Ejector*	Deep Well Capacities in GPM - At Depth to Water in Feet									
				30	40	50	60	70	80	90	100	110	120
8630 8631	1/3	4"	7502-JP	9.8	8.0	6.2							
			7503-JP		6.9	5.7	4.3	3.3					
			7733-JP	8.8	7.2	5.6							
			7734-JP		6.2	5.1	3.8	3.0					
8650 8651	1/2	4"	7508-JP	12.7	10.5	8.8							
			7509-JP		9.3	8.1	6.3	5.0	4.0				
			7735-JP	11.3	9.4	7.9							
			7736-JP		8.3	7.3	5.7	4.6					
8670 8671	3/4	4"	7901-JP	16.1	13.0	9.6							
			7906-JP			9.9	8.4	6.5	5.1				
			7907-JP						4.7	3.9	3.3	2.5	
			7808-JP	14.3	11.6	8.5							
			7812-JP			8.9	7.5	5.8	4.6				
			7813-JP						4.2	3.6	2.9	2.2	
8610 8611	1	4"	7901-JP	16.8	14.3	11.9							
			7902-JP			11.8	9.9	8.1	6.3				
			7903-JP						5.5	4.8	4.3	3.5	2.8
			7808-JP	15.0	12.9	10.7							
			7809-JP			10.4	8.8	7.2	5.6				
			7810-JP						4.8	4.2	3.8	3.1	2.6

*Jet Ejectors must be ordered separately